

PART NUMBER
ZONE-LO

CATEGORY
HUBS

Features

Peripheral Integration

Connect an existing amplifier.

Software

ClockWise Campus software included.
Compatible with approved third-party software.

SIP Integration

Call to page analog speakers.



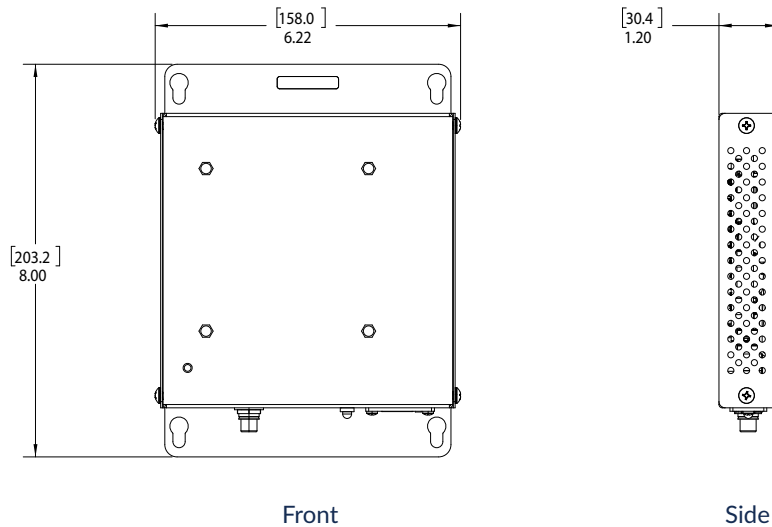
Product Overview

The Zone Line-Out Controller (ZONE-LO) offers the perfect solution for organizations simply requiring the broadcast of audio, via the network, to existing traditional speakers. Connect the ZONE-LO to an amplifier. This will integrate a group of speakers, connected to that amplifier, to the network.

The ZONE-LO also integrates with approved 3rd party software and includes ClockWise Campus software with purchase.

Dimensions

(Dimensions are subject to change.)



Category	Specifications
Power Input	PoE (IEEE802.3af) 15.4 W or PoE+ (IEEE802.3at) 30.0 W
Ethernet I/F	10/100 Mbps
Audio Power	8 W / 16 W
Speaker Output	8-ohm
Supported Protocols	SIP, IPv4, IPv6, 802.1X, HTTP, SLP, TFTP, NTP, SNMPV1 & SNMPV2c, DHCP, IGMP, ICMP, TCP/IP, LLDP-MED, UDP, MDNS & MDNS-SD
General Purpose Interface	N/A
Audio Interface	Unbalanced line level audio out Line out signal level up to 2 Vpp
Operating Temperature	0° TO 50° C (34° TO 122° F)
Dimensions	8.0" W x 1.25" H x 6.0" D
Weight	1 lb 7 oz (652 g)
Warranty	6 Year Limited*

(Due to continual product development, specifications are subject to change without notice.)

*Applies to eligible ANetD hardware devices purchased on or after February 1, 2026. See warranty for details.



Contact Us

847.463.2236

sales@anetd.com

3820 N Ventura Drive
Arlington Heights, IL 60004

anetd.com

