

PART NUMBER  
IPSWS-SM-O

---

CATEGORY  
SPEAKERS

## Features

### Audio

High-efficiency compression horn.  
Audio coverage of 2,000 ft<sup>2</sup>.

### Outdoor Applications

Ingress protection marking IP54  
(IEC standard 60529).  
Solid particle protection and  
liquid ingress protection.

### Software

ClockWise Campus software included.  
Compatible with approved third-party  
software.

### SIP Integration

SIP-enabled.  
Easily interfaces with  
VoIP / SIP phone systems.



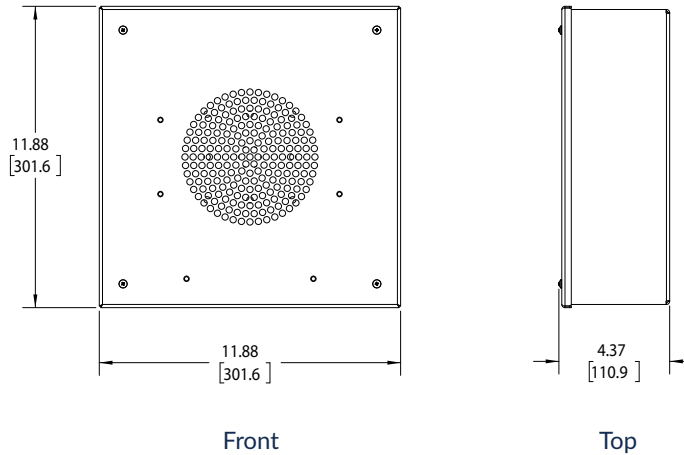
## Product Overview

Broadcast announcements outdoors or in a large room with the PoE Outdoor IP Compressed Horn. It functions as a durable, weather-resistant, surface-mount horn that extends the reach of audio communications to outdoor environments.

The IPSWS-SM-O easily integrates with VoIP phone systems, approved 3rd party software, and includes ClockWise Campus software with purchase.

# Dimensions

(Dimensions are subject to change.)



Category	Specifications
Power Input	PoE (IEEE802.3af) 15.4 W or PoE+ (IEEE802.3at) 30.0 W
Ethernet I/F	10/100 Mbps
Audio Power	8 W / 16 W
Frequency Response	600 Hz - 14 kHz
Audio Payload Types	G.711, A-law and $\mu$ -law, PCM
Average Sensitivity	104dB, 1W / 1 M
Supported Protocols	SIP, IPv4, IPv6, 802.1X, HTTP, SLP, TFTP, NTP, SNMPV1 & SNMPV2c, DHCP, IGMP, ICMP, TCP/IP, LLDP-MED, UDP, MDNS & MDNS-SD
Operating Temperature	14° TO 122° F (-10° TO 50° C)
Dimensions	11.87" W x 11.87" H x 4.19" D
Weight	10 lbs (4.54 kg)
Warranty	6 Year Limited*



(Due to continual product development, specifications are subject to change without notice.)

\*Applies to eligible ANetD hardware devices purchased on or after February 1, 2026. See warranty for details.



**Contact Us**

- 847.463.2236
- sales@anetd.com
- 3820 N Ventura Drive  
Arlington Heights, IL 60004
- anetd.com

