

PART NUMBER
IPSWWS-FM

CATEGORY
SPEAKERS

Features

Audio

8" high-efficiency speaker audio coverage up to 600ft².

Microphone

Hands-free two-way intercom.

Peripheral Integration

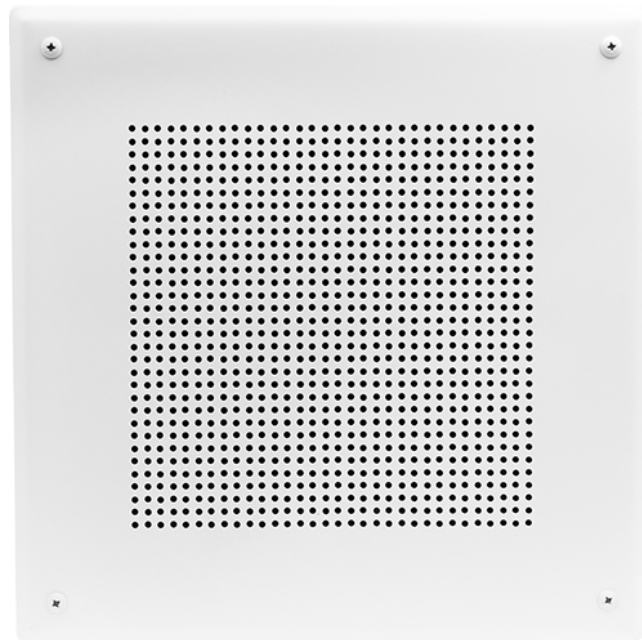
Connect to ANetD Call Button with Microphone (BTN-KIT-MIC-ND).

Software

ClockWise Campus software included. Compatible with approved third-party software.

SIP Integration

SIP-enabled. Easily interfaces with VoIP / SIP phone systems.



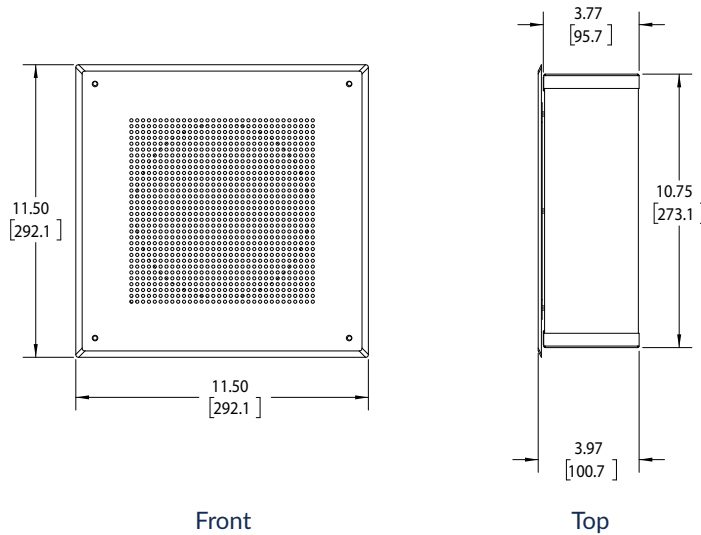
Product Overview

Broadcast announcements in offices, hallways, classrooms, or any indoor space needing audio notification and two-way intercom with the PoE Flush-Mount IP Speaker.

The IPSWS-FM easily integrates with VoIP phone systems, approved 3rd party software, and includes ClockWise Campus software with purchase.

Dimensions

(Dimensions are subject to change.)



Category	Specifications
Power Input	PoE (IEEE802.3af) 15.4 W or PoE+ (IEEE802.3at) 30.0 W
Ethernet I/F	10/100 Mbps
Speaker Size	8"
Audio Power	8 W / 16 W
Frequency Response	60 Hz - 17 kHz
Audio Payload Types	G.711, A-law and μ -law, PCM
Average Sensitivity	95dB, 1W / 1 M
Supported Protocols	SIP, IPv4, IPv6, 802.1X, HTTP, SLP, TFTP, NTP, SNMPV1 & SNMPV2c, DHCP, IGMP, ICMP, TCP/IP, LLDP-MED, UDP, MDNS & MDNS-SD
General Purpose Interface	2 GPI: 1 via RJ-11, 1 via Cable Harness
Material	Wiremold combination 5700 knockout for 500 and 700 series raceways
Operating Temperature	14° TO 122° F (-10° TO 50° C)
Dimensions	11.50" W x 11.50" H x 3.84" D
Weight	9 lbs (4.1 kg)
Warranty	6 Year Limited*



Model: IPSWS
Advanced Network Devices
www.anetd.com
Conforms to US STD 60950-1
Cert. to CAN/CSA STD C22.2 #60950-1
#E-2015/2015/PC, 25-198 Max.
802.3af PoE+

(Due to continual product development, specifications are subject to change without notice.)

*Applies to eligible ANetD hardware devices purchased on or after February 1, 2026. See warranty for details.



Contact Us 847.463.2236

sales@anetd.com

3820 N Ventura Drive
Arlington Heights, IL 60004

anetd.com

