



IPSTROBE-O

Outdoor IP Strobe

Overview

Provide an additional mode of emergency notification or alert messaging on the perimeter of your facility with the PoE Outdoor IP Strobe (IPSTROBE-O).

The IPSTROBE-O easily integrates with VoIP phone systems, approved 3rd party software, and includes ClockWise Campus™ software with purchase.



SOFTWARE

ClockWise Campus™ software included. Compatible with approved third-party software.



SIP INTEGRATION

SIP-enabled. Easily interfaces with VoIP / SIP phone systems.



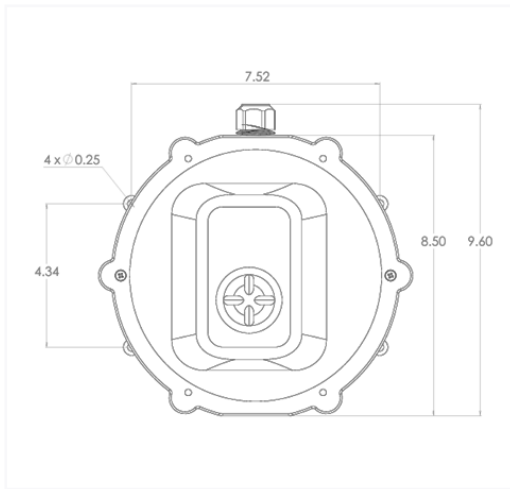
OUTDOOR APPLICATIONS

Outdoor rated IP strobe. Weather resistant enclosure.

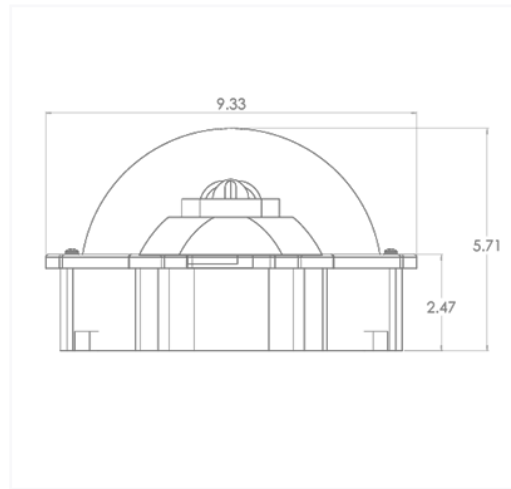
Solutions	Additional Features	Compatible Accessories
<ul style="list-style-type: none"> • Code alerts • Emergency notification • Security monitoring 	<ul style="list-style-type: none"> • Built-in web server • Full multicast and broadcast support • Requires exterior-grade water-proof CAT5/CAT6 network cable • Weather resistant enclosure included 	<p>Color Lenses from System Sensor:</p> <ul style="list-style-type: none"> • LENS-A3 Lens LED Amber Wall/Ceiling • LENS-B3 Lens LED Blue Wall/Ceiling • LENS-G3 Lens LED Green Wall/Ceiling • LENS-R3 Lens LED Red Wall/Ceiling

Dimensions

(Dimensions are subject to change)



Front



Side

Specifications

Due to continual product development, specifications are subject to change without notice.

Power Input	PoE (IEEE802.3af) 15.4 W
Ethernet I/F	10/100 Mbps
Flash Rate	1 Flash per second
Luminous Intensity	15, 30, 75, 95, 110, 135, or 185 candela
Supported Protocols	SIP, IPv4, IPv6, 802.1X, HTTP, SLP, TFTP, NTP, SNMPV1 & SNMPV2c, DHCP, IGMP, ICMP, TCP/IP, LLDP-MED, UDP, MDNS & MDNS-SD
Operating Temperature	14° TO 122° F (-10° TO 50° C)
Dimensions	9.3" W x 9.6" H x 5.7" D
Weight	3 lbs (1.36 kg)
Warranty	2 Year Limited

