

PART NUMBER
IPSMOD

CATEGORY
HUBS

Features

Peripheral Integration

Two wire connection to speaker or horn.

Outdoor Applications

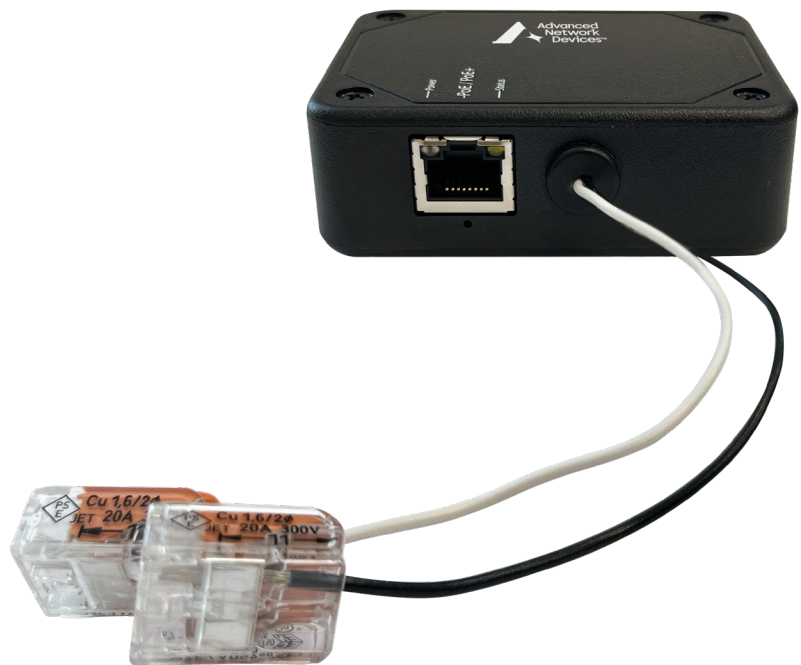
Designed for outdoor or indoor applications.

Software

ClockWise Campus software included. Compatible with approved third-party software.

SIP Integration

SIP-enabled.
Easily interfaces with VoIP / SIP phone systems.



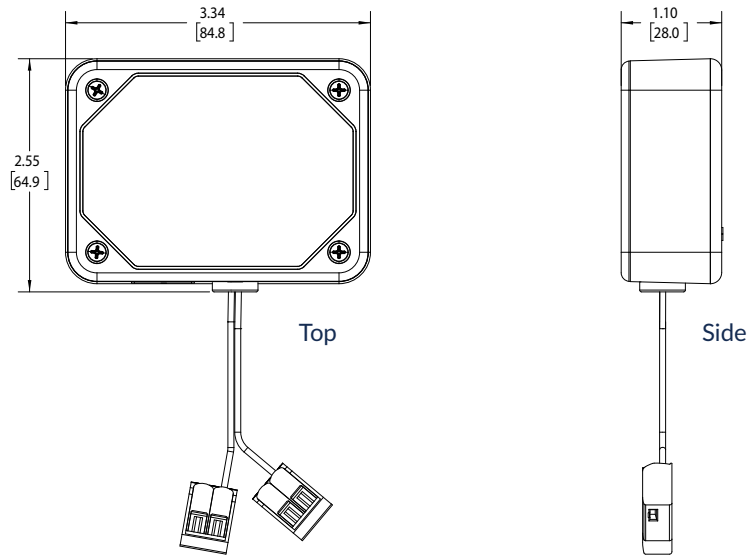
Product Overview

Convert an analog speaker or horn to an IP endpoint on the network with the PoE IP Speaker Module (IPSMOD). This SIP enabled device can broadcast voice, sound, and music to the speaker or horn, as well as act as a SIP endpoint for IP paging.

The IPSMOD easily integrates with VoIP phone systems, approved third-party software, and includes ClockWise Campus software with purchase.

Dimensions

(Dimensions are subject to change.)



Category	Specifications
Power Input	PoE (IEEE802.3af) 15.4 W or PoE+ (IEEE802.3at) 30.0 W
Ethernet I/F	10/100 Mbps
Audio Power	Supports an 8-ohm Speaker at 8 W / 16 W
Audio Payload Types	G.711, A-law and μ -law, PCM
Average Sensitivity	104dB, 1W / 1 M
Supported Protocols	SIP, IPv4, IPv6, 802.1X, HTTP, SLP, TFTP, NTP, SNMPV1 & SNMPV2c, DHCP, IGMP, ICMP, TCP/IP, LLDP-MED, UDP, MDNS & MDNS-SD
Plastic Case Molding	Flame Retardant and Ignition Resistant
Board Protection	Conformal-Coated
Operating Temperature	14° TO 122° F (-10° TO 50° C)
Dimensions	3.34" W x 1.11" H x 2.56" D
Weight	3.4 oz (96 g)
Warranty	6 Year Limited*

(Due to continual product development, specifications are subject to change without notice.)

*Applies to eligible ANetD hardware devices purchased on or after February 1, 2026. See warranty for details.



Contact Us

- 847.463.2236
- sales@anetd.com
- 3820 N Ventura Drive
Arlington Heights, IL 60004
- anetd.com

