

PART NUMBER  
IPCSHD-MB

---

CATEGORY  
DISPLAYS

## Features

### Display / Clock

1920 x 720 high resolution full-color LCD screen.  
Angled display to reduce glare.

### Microphone

Hands-free two-way intercom.

### Flasher

RGB flashing LED indicator.  
Customize for additional visual messaging in any color.

### Audio

4" high-efficiency speakers.  
Audio coverage up to 600ft<sup>2</sup>.

### Peripheral Integration

Connect a strobe, motion sensor, electronic lock, call button, etc.

### Software

ClockWise Campus software included.  
Compatible with approved third-party software.

### SIP Integration

SIP-enabled.  
Easily interfaces with VoIP / SIP phone systems.

### Light Sensor

Auto-dimming display.



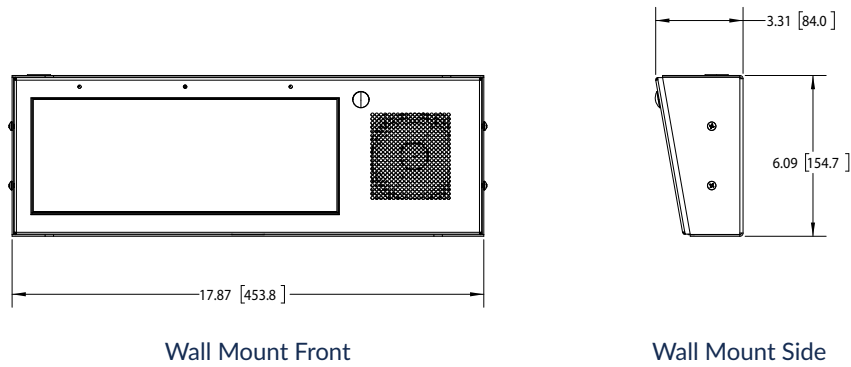
## Product Overview

Engage and capture attention with the PoE+ HD Display IP Display. Employ custom graphics and images for day-to-day and critical announcements using the high-resolution LCD display, RGB flasher, and 4 inch speaker.

The IPCSHD-MB is typically installed in classrooms or any average sized room, easily integrates with VoIP phone systems, approved 3rd party software, and includes ClockWise Campus software with purchase.

# Dimensions

(Dimensions are subject to change.)



# Specifications

Category	Specifications
Power Input	PoE+ (IEEE802.3at) 30.0W recommended
Ethernet Interface	10/100/1000 Mbps
Speaker Size	4"
Frequency Response	150 Hz - 17 kHz
Audio Payload Types	G.711 A-law and $\mu$ -law, G.722, PCM
Average Sensitivity	94dB, 1W / 1 M
Supported Protocols	SIP, IPv4, IPv6, 802.1X, HTTP, SLP, TFTP, NTP, SNMPV1 & SNMPV2c, DHCP, IGMP, ICMP, TCP/IP, LLDP-MED, UDP, MDNS & MDNS-SD
General Purpose Interface	2 GPI: 1 via 6P6C RJ-12, 1 on-board, Phoenix connector via bare wire 1 GPO: Contact Closure or 21.6 VDC
Audio Interface	Stereo Analog Line Out Stereo Analog Line In
Operating Temperature	14° TO 122° F (-10° TO 50° C)
Dimensions	17.9" W x 6.1" H x 3.3" D
Weight	22 lbs (9.98 kg)
Warranty	6 Year Limited*

(Due to continual product development, specifications are subject to change without notice)

\*Applies to eligible ANetD hardware devices purchased on or after February 1, 2026. See warranty for details.



**Contact Us**

- 847.463.2236
- sales@anetd.com
- 3820 N Ventura Drive  
Arlington Heights, IL 60004
- anetd.com

