

PART NUMBER  
AND-BTN-KIT-1

---

CATEGORY  
BUTTONS

## Features

### Audio Functionality

Intercom, page, or all-call.  
Trigger pre-programmed text,  
or privacy mode.

### Dual Commands

Programmable button modes push/  
release or push/hold accommodate up  
to two extensions or phone numbers.

### SIP Integration

Enable SIP calls.  
Dial out pre-programmed internal  
extensions and external phone numbers.

### Notification

Trigger alerts that activate other devices,  
such as a strobe or electronic lock.

### Software

Compatible with approved  
third-party software.



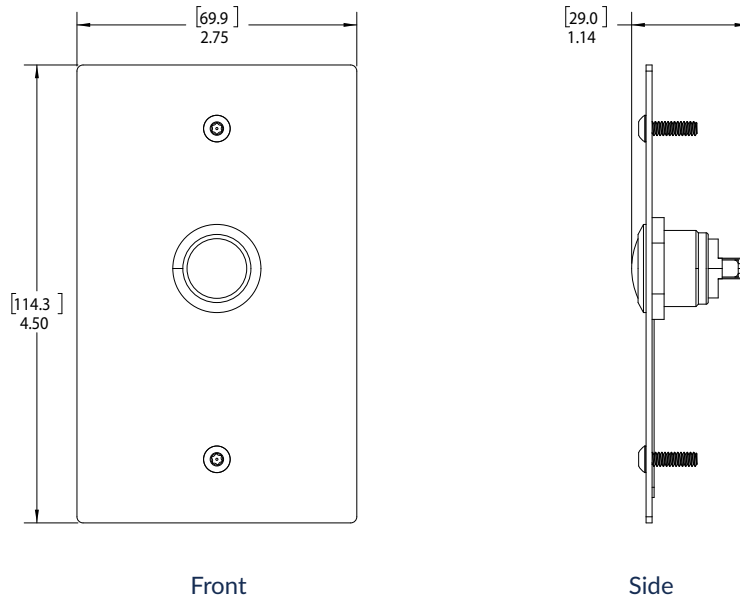
## Product Overview

Enable two-way communication with the push of a button by connecting the ANetD Button Kit (AND-BTN-KIT-1) to a compatible IP device.

When connected to a compatible IP device, the AND-BTN-KIT-1 easily integrates with VoIP phone systems, and approved third-party software.

# Dimensions

(Dimensions are subject to change.)



Category	Specifications
Faceplate Material	16-gauge brushed stainless steel
Electrical Life	200,000 cycles
Rating	2a@48V DC
Switch Function	Momentary ON
Operating Temperature	-4° TO 131° F (-20° TO 50° C)
Circuit	SPST
Installation Depth	1" (25.4 mm)
Dimensions	Plate: 2.75" W 4.5" H
Weight	3.8 oz
Warranty	6 Year Limited*



(Due to continual product development, specifications are subject to change without notice.)

\*Applies to eligible ANetD hardware devices purchased on or after February 1, 2026. See warranty for details.



**Contact Us**

- 847.463.2236
- sales@anetd.com
- 3820 N Ventura Drive  
Arlington Heights, IL 60004
- anetd.com

