

# IPBTN

Smart IP Button



## Overview

Initiate an instant lockdown of a facility with the PoE Smart IP Button (IPBTN). It connects directly to the network as an endpoint to dial an extension or trigger an alert with the push of a button.

The IPBTN easily integrates with VoIP phone systems, approved 3rd party software, and includes ClockWise Campus software with purchase.

## Description



### NOTIFICATION

Trigger alerts that activate other devices, such as a strobe or electronic lock.



### DUAL COMMANDS

Programmable button modes push/release or push/hold accommodate up to two extensions or phone numbers.



### SIP INTEGRATION

SIP-enabled.  
Dials a preset phone number to play a pre-recorded message.



### MOUNTING

Easily mounts under a table, desk, or any discrete location.



### SOFTWARE

ClockWise Campus software included.  
Compatible with approved third-party software.



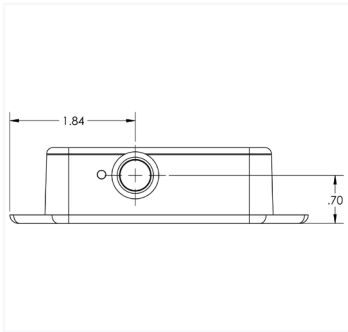
### LED BUTTON

Light blinks on button press.  
Light turns solid when either SIP call connects or notification delivered.

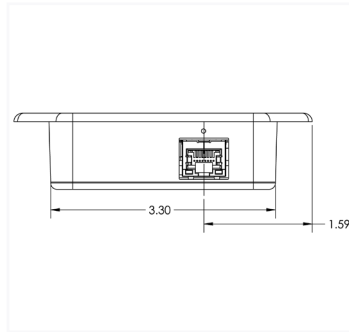
Solutions	Additional Features	Compatible Peripherals
<ul style="list-style-type: none"> <li>Code alerts</li> <li>Emergency notification</li> <li>SIP integration</li> <li>Access control</li> <li>Security monitoring</li> </ul>	<ul style="list-style-type: none"> <li>Built-in web server</li> <li>Requires Cat5 or Cat6 cable</li> </ul>	<ul style="list-style-type: none"> <li>N/A</li> </ul>

## Dimensions

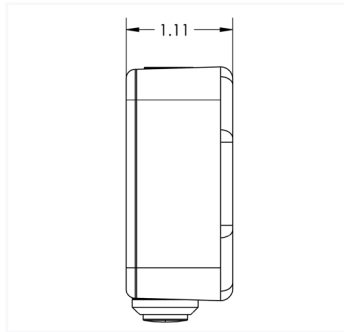
(Dimensions are subject to change)



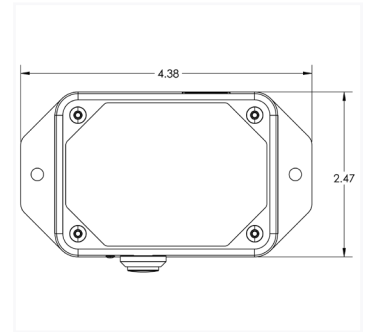
Front



Back



Side



Top

## Specifications

Due to continual product development, specifications are subject to change without notice.

Power Input	PoE (IEEE802.3af) 15.4 W or PoE+ (IEEE802.3at) 30.0 W
Ethernet I/F	10/100 Mbps
Audio Payload Types	G711, A-law and $\mu$ -law
Supported Protocols	SIP, IPv4, IPv6, 802.1X, HTTP, SLP, TFTP, NTP, SNMPV1 & SNMPV2c, DHCP, IGMP, ICMP, TCP/IP, LLDP-MED, UDP, MDNS & MDNS-SD
Plastic Case Molding	Flame retardant and ignition resistant
Operating Temperature	14° TO 122° F (-10° TO 50° C)
Dimensions	4.38" W x 2.47" H x 1.11" D
Weight	3.4 oz (96 g)
Warranty	2 Year Limited

